

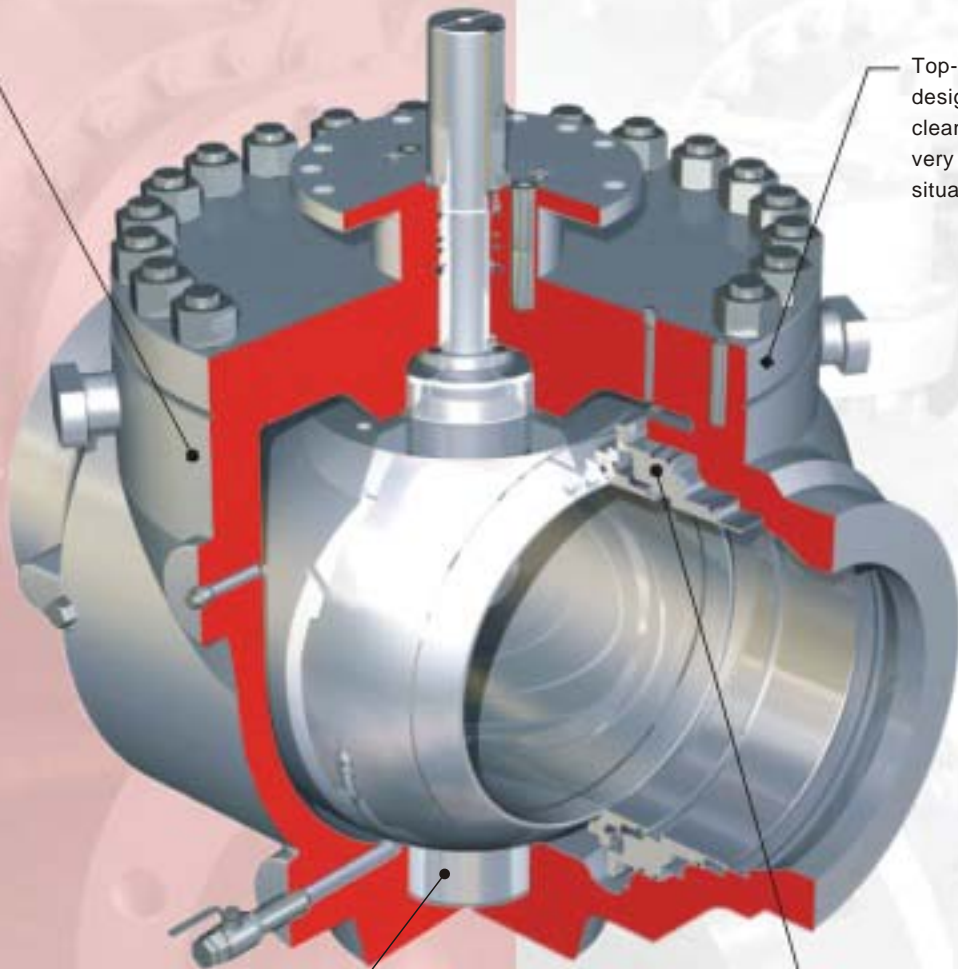
# TOP ENTRY BALL VALVE

Rigid one-piece body construction reduces potential leak paths and increases resistance to pipeline pressure.

Top-entry ball, bolted cover design for in-line repairing / cleaning / maintaining in very short time for urgent situation.

Trunnion mounted standard structure, while floating ball type also available.

Adjustable and replaceable seat ring for better sealing and long service life.



# TOP ENTRY BALL VALVE

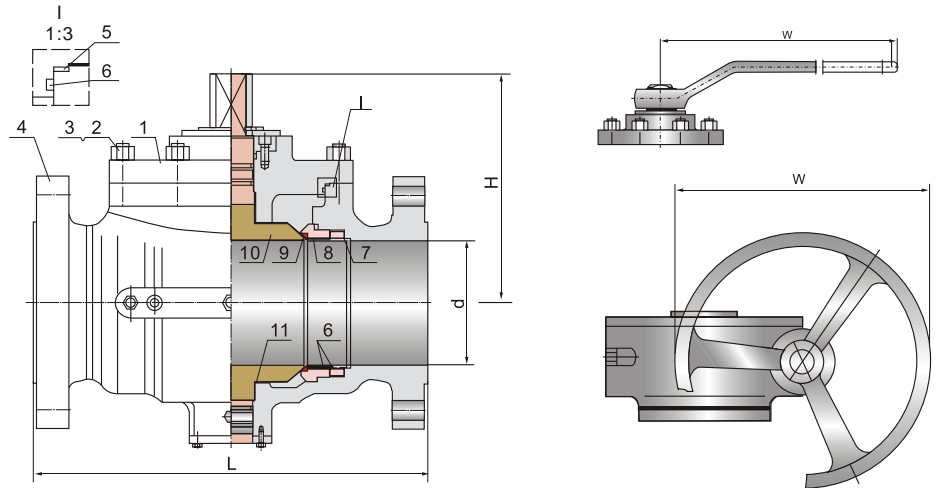
## 150Lb

### Features:

- One-piece Body Design
- Top Entry for On-line Maintenance
- Full Port for Pigging Operation
- Gear or Actuator Available

### Applicable Standards:

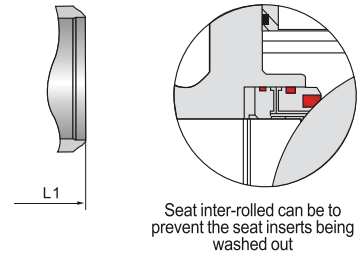
- Design: API 6D / API 608 / BS 5351
- Wall Thickness: API 600 / BS 5351
- Fire Safe: API 607 / API 6FA
- Antistatic: API 608
- Face-to-face: ASME B16.10 / API 6D
- Flange Ends: ASME B16.5 / B16.47
- Butt-welding End: ASME B16.25
- Testing: API 598 / API 6D



### Materials of parts

No	Part Name	ASTM Material		
		Carbon Steel	Low Temp. Steel	Stainless Steel
1	Body	ASTM A216-WCB	ASTM A352-LCB	ASTM A351-CF8
2	Bonnet	ASTM A216-WCB	ASTM A352-LCB	ASTM A351-CF8
3	Nut	ASTM A194-2H	ASTM A194 4	ASTM A194-8
4	Bolt	ASTM A193-B7	ASTM A320 L7	ASTM A193-B8
5	Gasket	304+PTFE <sup>2)</sup>	304+PTFE <sup>2)</sup>	304+PTFE <sup>2)</sup>
6	O-ring	VITON	VITON	VITON
7	Spring	INCONEL X-750	INCONEL X-750	INCONEL X-750
8	Seat	ASTM A105	ASTM A182 F304	ASTM A182 F304
9	Seat insert	PTFE	RPTFE	RPTFE
10	Ball	ASTM A182-F304 <sup>1)</sup>	ASTM A182-F304 <sup>1)</sup>	ASTM A182 F304
11	Stem bearing	304+PTFE	304+PTFE	304+PTFE

- Note: 1). A105+ENP optional  
2). Spiral wound construction.



### Dimensions data

NPS	2	2½	3	4	6	8	10	12	14	16	18	20	24	in
DN	50	65	80	100	150	200	250	300	350	400	450	500	600	mm

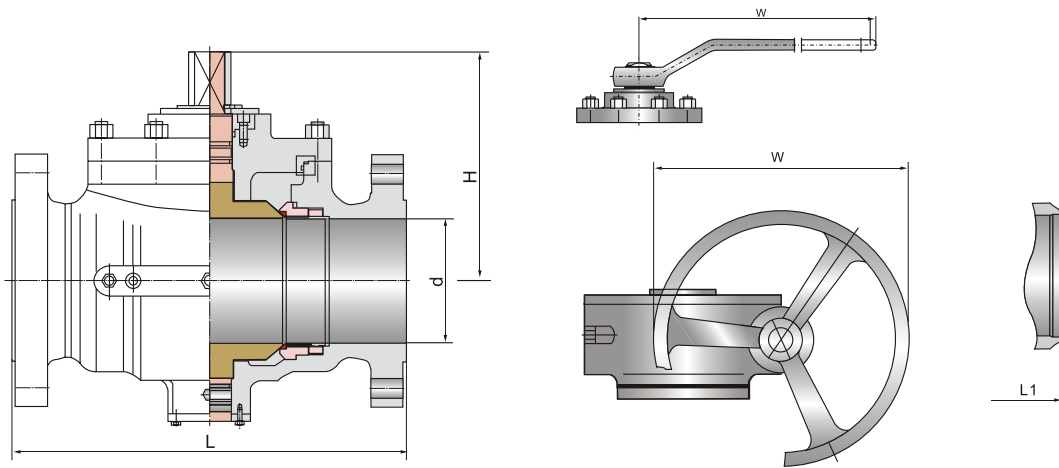
#### ANSI Class 150Lb

L	7.01	7.48	7.99	9.02	15.51	17.99	20.98	24.02	27.01	30.00	34.02	35.98	42.01	in
(RF)	178	190	203	229	394	457	533	610	686	762	864	914	1067	mm
L1	8.50	9.49	11.14	12.01	17.99	20.51	22.01	25.00	30.00	32.99	35.98	3.90	45.00	in
(BW)	216	241	283	305	457	521	559	635	762	838	914	99	1143	mm
H	6.69	7.48	8.27	9.84	10.43	13.98	15.16	15.75	17.72	20.08	22.24	24.41	26.77	in
	170	190	210	250	265	355	385	400	450	510	565	620	680	mm
(d)	49	62	74	100	150	201	252	303	334	385	436	487	710	mm
W	11.22	11.22	15.75	15.75	15.75	23.62	23.62	23.62	23.62	23.62	23.62	23.62	27.56	in
	285	285	400	400	400	600	600	600	600	600	600	600	700	mm
WT	46	70	83	156	256	453	622	747	959	1220	1640	2118	2950	RF/BW

# TOP ENTRY BALL VALVE

## 300Lb

**KOLINK**  
VALVE & PIPE FITTING



### Dimensions data

NPS	2	2½	3	4	6	8	10	12	14	16	18	20	24	in	
DN	50	65	80	100	150	200	250	300	350	400	450	500	600	mm	
<b>ANSI Class 300Lb</b>															
L	8.50	9.49	11.14	12.01	15.87	19.76	22.36	25.51	30.00	32.99	35.98	39.02	45.00	in	
(RF)	216	241	283	305	403	502	568	648	762	838	914	991	1143	mm	
L1	8.50	9.49	11.14	12.01	15.87	20.51	22.01	25.00	30.00	32.99	35.98	39.02	45.00	in	
(BW)	216	241	283	305	403	521	559	635	762	838	914	991	1143	mm	
H	49	62	74	100	150	201	252	303	334	385	436	487	710	in	
	6.69	7.48	8.27	9.84	10.43	13.98	15.16	15.75	17.72	20.08	22.24	24.41	26.77	mm	
(d)	170	190	210	250	265	355	385	400	450	510	565	620	680	mm	
W	11.22	11.22	15.75	15.75	15.75	19.69	23.62	23.62	23.62	23.62	27.56	27.56	27.56	in	
	285	285	400	400	400	500	600	600	600	600	700	700	700	mm	
WT	49	72	87	164	272	479	657	783	1007	1281	1722	2224	3100	RF/BW	