

GATE VALVE

Austenitic ductile iron stem nut provides resistance to wear and heat.

Rising stem with precision trapezoidal threads for long-lasting service.

Two piece self-aligning Gland Bushing and Gland flange prevent stem damage.

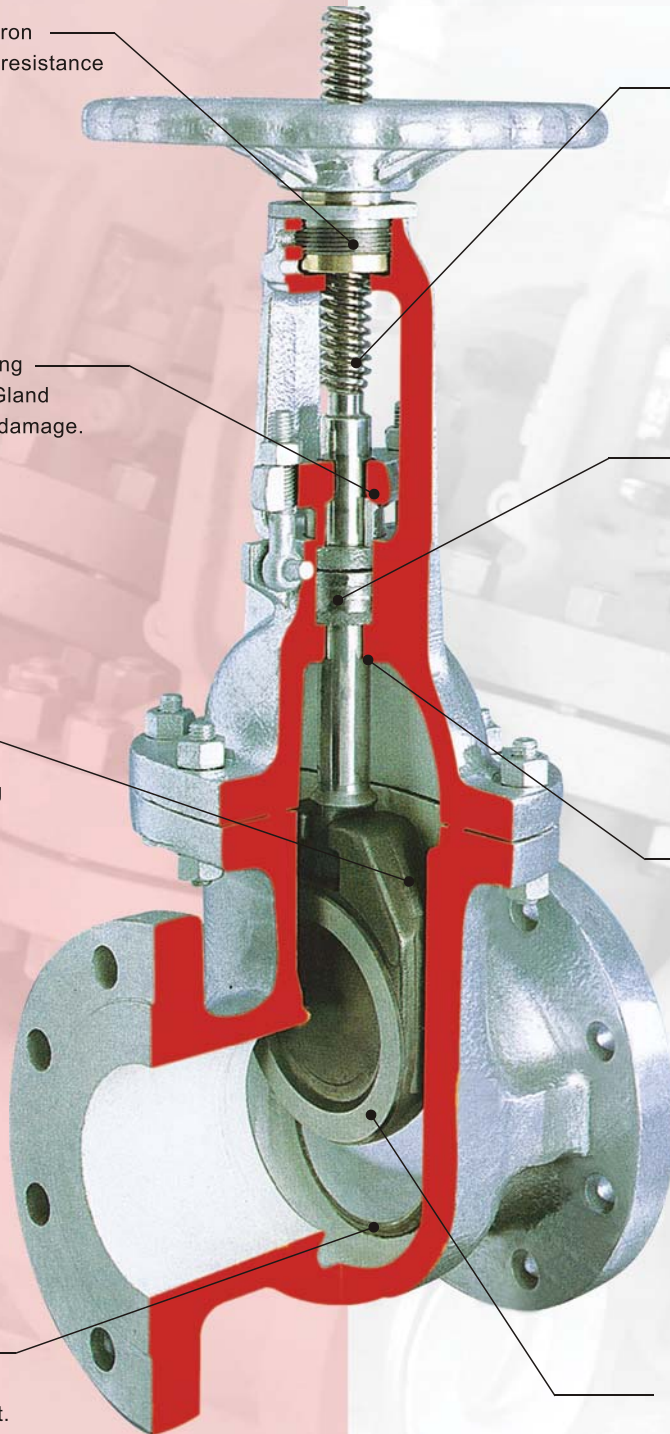
Spacer rings and double packing sets available upon request.

Wedge disc fully guided and precision fitted to ensure tight sealing performance.

Machined backseat designed to relieve back pressure on the stem packing when fully seated. Replacing stem packing under pressure is not recommended.

Renewable welded-in or screwed-in seats provide a bubble tight joint.

Flexible wedge compensates for seat face distortion and body deformation due to pipe stress.



CAST STEEL GATE VALVE

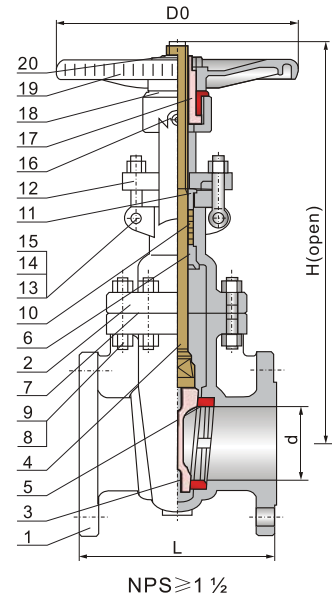
150LB

Features:

- Bolted Bonnet,
- OS&Y, Rising Stem, Non-rising Handwheel
- Threaded-in Back Seat
- Flexible Wedge
- Renewable Seat
- Flanged or Butt-welding Ends
- Bevel Gear or Actuator Available

Applicable Standards:

- Design: API 600 / API 6D / BS 1414
- Wall Thickness: API 600 / BS 1414
- Face-to-face: ASME B16.10 / API 6D
- Flange Ends: ASME B16.5 / B16.47
- Butt-welding End: ASME B16.25
- Testing: API 598 / API 6D / BS 6755 Part 1

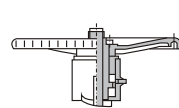


Materials of parts

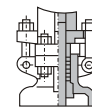
No	Part Name	ASTM Material		
		Carbon Steel	Alloy Steel	Low Temp. Steel
1	Body	A216-WCB	A217-WC6	A352-LCB
2	Bonnet	A216-WCB	A217-WC6	A352-LCB
3	Wedge	A216-WCB+13CR	A217-WC6+HF	A352-LCB+13CR
4	Stem	A182-F6a	A182-F6a	A182-F6a
5	Seat Ring	A105+13CR	A182-F11+HF	A350-LF2+13CR
6	Back Seat	A276-420	A276-420	A276-420
7	Bonnet Gasket	Spiral Wound (Graphite+304)		
8	Bonnet Bolt	A193-B7	A193-B16	A320-L7
9	Bonnet Bolt Nut	A194-2H	A194-7	A194-4
10	Packing	Graphite		
11	Gland	A276-420	A276-420	A276-420
12	Gland Flange	A216-WCB	A217-WC6	A352-LCB
13	Eyebolt Pin	Stainless Steel		
14	Eyebolt	Carbon Steel	A193-B7	Carbon Steel
15	Eyebolt Nut	Carbon Steel	A194-2H	Carbon Steel
16	Grease Fitting	Brass+Steel		
17	Yokesleeve	Aluminum-Bronze ¹⁾		
18	Yokesleeve Jam Nut	Carbon Steel		
19	Handwheel	Malleable Iron		
20	Handwheel Nut	Carbon Steel		

Note:1).Ductile Ni-Resist optional

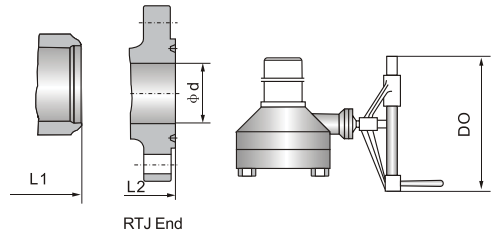
2).Wedge and seat ring may either be solid facing material or a base material equal to or better than the body/bonnet material with facing as shown.



For NPS10 & Larger



Yoke For NPS10 & Larger



RTJ End

Dimensions data

NPS	2	2 1/2	3	4	6	8	10	12	14	16	18	20	24	26	28	30	32	36	40	42	48	in
DN	50	65	80	100	150	200	250	300	350	400	450	500	600	650	700	750	800	900	1000	1050	1200	mm

ANSI Class 150Lb

L (RF)	7.00	7.50	8.00	9.00	10.50	11.50	13.00	14.00	15.00	16.00	17.00	18.00	20.00	22.00	24.00	24.00	28.00	28.00	32.00	32.00	42.00	in
L1 (BW)	8.5	9.50	11.12	12.00	15.88	16.50	18.00	19.75	22.50	24.00	26.00	28.00	32.00	34.00	36.00	36.00	38.00	40.00	42.00	45.00	53.97	in
L2 (RTJ)	7.48	7.99	8.50	9.48	10.98	12.00	13.50	14.48	15.51	16.49	17.51	18.50	20.51	-	-	24.48	-	28.50	-	-	-	in
H (OPEN)	15.25	17.00	18.88	23.00	30.50	37.62	45.50	53.12	59.38	67.00	74.50	83.50	98.25	110.50	116.50	124.00	129.00	146.50	130.00	136.96	161.70	in
(d)	50	63	76	100	150	200	250	300	336	387	438	488	590	641	692	743	781	876	-	-	-	mm
D0	8	8	10	12	12	14	16	18	20	22	24	26	29	29	32	32	38	40	40.15	40.15	40.15	in
WT (kg)	18	25	32	50	77	121	178	265	363	463	621	792	1190	1521	1838	2261	2490	3310	4650	5100	6500	RF
Toquire	13	13	15	27	36	63	84	131	151	235	285	341	602	-	-	1079	-	1497	-	-	-	mm

CAST STEEL GATE VALVE

300lb~900lb

KOLINK
VALVES & PIPE FITTINGS

Dimensions data

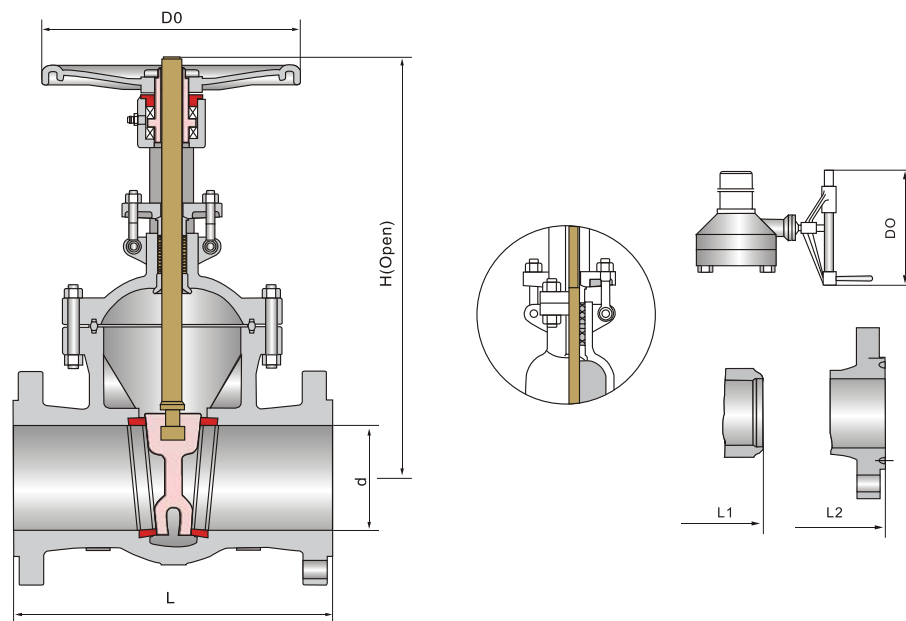
NPS DN	2 50	2½ 65	3 80	4 100	6 150	8 200	10 250	12 300	14 350	16 400	18 450	20 500	24 600	26 650	28 700	30 750	32 800	36 900	40 1000	42 1050	48 1200	in mm	
ANSI Class 300Lb																							
L/L1 (RF/BW)	8.50 216	9.50 241	11.12 283	12.00 305	15.88 403	16.50 419	18.00 457	19.75 502	30.00 762	33.00 838	36.00 914	39.00 991	45.00 1143	49.00 1245	53.00 1346	55.00 1397	60.00 1524	68.00 1727	76.96 1955	80.00 2032	90.00 2286	in mm	
L2 (RTJ)	9.12 232	10.12 257	11.75 298	12.62 321	16.50 419	17.12 435	18.62 473	20.38 518	30.62 778	33.62 854	36.62 930	39.75 1010	45.88 1165	50.00 1270	54.00 1372	56.00 1422	61.12 1553	69.12 1756	-	-	-	in mm	
H (OPEN)	16.12 410	17.88 453	20.00 509	24.00 612	31.75 805	59.38 1000	47.62 1210	55.75 1415	62.25 1580	67.88 1725	77.12 1960	86.38 2195	102.00 2590	117.00 2975	122.00 3100	126.00 3200	130.00 3300	152.00 3860	146.18 3713	154.17 3916	177.20 4501	in mm	
(d)	50 200	63 200	76 250	100 300	150 350	200 400	250 450	300 500	336 550	387 550	431 600	482 640	584 720	635 720	686 800	737 800	781 950	876 1000	-	-	-	in mm	
D0	8 200	8 200	10 250	12 300	14 350	16 400	18 450	20 500	22 550	24 550	26 600	29 640	29 720	29 720	32 800	32 800	38 950	38 1000	40 720	28.34 720	28.34 720	28.34 720	in mm
WT (kg)	23 17	35 26	50 39	71 53	144 113	209 164	322 256	482 390	683 565	950 805	1145 965	1635 1410	2660 2305	3090 2540	3310 2725	3595 3055	3720 3360	3985 3630	8100 -	9750 -	13050 -	RF/RTJ BW	
Toqure	16	18	21	42	86	128	215	289	423	537	649	1009	1451	-	-	3140	-	4239	-	-	-	mm	

NPS DN	2 50	2½ 65	3 80	4 100	6 150	8 200	10 250	12 300	14 350	16 400	18 450	20 500	24 600	26 650	28 700	30 750	32 800	36 900	40 1000	42 1050	48 1200	in mm
ANSI Class 600Lb																						
L/L1 (RF/BW)	11.50 292	13.00 330	14.00 356	17.00 432	22.00 559	26.00 660	31.00 787	33.00 838	35.00 889	39.00 991	43.00 1092	47.00 1194	55.00 1397	57.00 1448	61.00 1549	65.00 1651	70.00 1778	82.00 2083	84.60 2149	88.97 2260	105.00 2667	in mm
L2 (RTJ)	11.62 295	13.12 333	14.12 359	17.12 435	22.12 562	26.12 664	31.12 791	33.12 841	35.12 892	39.12 994	43.12 1095	47.25 1200	55.38 1407	57.50 1461	61.50 1562	65.50 1664	70.62 1794	82.62 2099	-	-	-	in mm
H (OPEN)	16.50 418	18.75 476	20.38 518	25.50 646	33.00 840	40.38 1025	48.38 1230	57.00 1450	62.00 1575	70.62 1795	76.00 1930	87.00 2210	101.50 2580	105.00 2665	109.50 2780	114.00 2895	124.00 3150	140.00 3560	141.73 3600	155.51 3950	181.10 4600	in mm
(d)	50 200	63 250	76 250	100 300	150 450	199 500	247 600	298 600	326 600	374 600	419 640	463 640	558 720	603 720	648 800	695 800	781 950	876 1000	-	-	-	in mm
D0	8 200	10 250	10 250	12 300	18 450	20 500	24 600	24 600	24 600	24 600	26 640	26 640	29 720	29 720	32 800	32 800	38 950	40 1000	28.34 720	28.34 720	28.34 720	in mm
WT (kg)	36 29	52 42	67 53	112 83	170 125	393 310	610 472	890 730	1245 1055	1530 1240	1965 1625	2450 2030	2995 2590	3475 2855	3725 3065	4045 3440	4185 3780	4480 4085	14300 -	16400 -	22900 -	RF/RTJ BW
Toqure	23	-	50	68	183	270	479	650	988	1243	1512	2185	3053	-	-	5452	-	7675	-	-	-	mm

NPS DN	2 50	2½ 65	3 80	4 100	6 150	8 200	10 250	12 300	14 350	16 400	18 450	20 500	24 600	in mm
ANSI Class 900Lb														
L/L1 (RF/BW)	14.50 368	16.50 419	15.50 381	18.00 457	24.00 610	29.00 737	33.00 838	38.00 965	40.50 1029	44.50 1130	48.00 1219	52.00 1321	61.00 1549	in mm
L2 (RTJ)	14.62 371	16.62 422	15.12 384	18.12 460	24.12 613	29.12 740	33.12 841	38.12 968	40.88 1038	44.88 1140	48.50 1232	52.50 1334	61.75 1568	in mm
H (OPEN)	19.62 498	21.50 547	22.50 573	26.62 678	35.50 900	43.50 1103	53.00 1345	60.00 1525	74.88 1900	81.00 2055	87.00 2215	101.00 2565	104.00 2640	in mm
(d)	47 250	57 250	72 300	98 450	146 500	190 600	238 640	282 720	311 800	355 800	400 950	444 950	533 1000	in mm
D0	10 250	10 250	12 300	18 450	20 500	24 600	26 640	29 720	32 800	32 800	38 950	38 950	40 1000	in mm
WT (kg)	74 54	131 105	101 78	172 135	335 260	640 515	1100 920	1600 1380	2250 2010	2850 2565	3060 2485	3935 3250	4900 4065	RF/RTJ BW
Toqure	39	56	64	118	243	427	783	1163	1331	-	-	-	-	mm

CAST STEEL GATE VALVE

1500lb~2500lb



Dimensions data

NPS DN	2 50	2½ 65	3 80	4 100	6 150	8 200	10 250	12 300	14 350	16 400	18 450	20 500	24 600	in mm
ANSI Class 1500Lb														
L/L1 (RF/BW)	14.50 368	16.50 419	18.50 470	21.50 546	27.75 705	32.75 832	39.00 991	44.50 1130	49.50 1257	54.50 1384	60.50 1537	65.50 1664	76.50 1943	in mm
L2 (RTJ)	15.50 371	16.62 422	18.62 473	21.62 549	28.00 711	33.12 841	39.38 1000	45.12 1146	50.25 1276	55.38 1407	61.38 1559	66.38 1686	77.62 1972	in mm
H (OPEN)	24.25 615	26.00 658	30.00 760	34.12 868	39.50 1005	45.00 1145	54.00 1370	61.00 1550	74.88 1900	80.50 2050	93.75 2380	101.50 2580	114.75 2915	in mm
(d)	47	57	69	92	136	177	222	263	288	330	371	415	498	mm
D0	10 250	12 300	18 450	20 500	24 600	18 460	18 460	24 600	24 600	24 600	24 600	24 600	24 600	in mm
WT (kg)	116 105	166 150	209 188	296 265	510 412	920 760	1910 1640	3145 2755	4100 3200	6200 5300	8965 8070	13100 11790	15860 14275	RF/RTJ BW
Toqure	54	76	108	167	426	801	1268	2078	2392	-	-	-	-	mm

NPS DN	2 50	2½ 65	3 80	4 100	6 150	8 200	10 250	12 300	in mm
ANSI Class 2500Lb									
L/L1 (RF/BW)	17.75 451	20.00 508	22.75 578	26.50 673	36.00 914	40.25 1022	50.00 1270	56.00 1422	in mm
L2 (RTJ)	17.88 454	20.50 514	23.00 584	26.88 683	36.50 927	40.88 1038	50.88 1292	56.88 1445	in mm
H (OPEN)	24.88 631	29.00 736	35.00 890	41.50 1055	57.00 1450	63.38 1610	81.75 2075	89.75 2280	in mm
(d)	38	47	57	72	111	146	184	218	mm
D0	12 300	18 450	20 500	20 500	24 600	24 600	24 600	24 600	in mm
WT (kg)	155 124	210 160	310 245	580 460	1600 1310	2450 2010	4570 3800	7150 6000	RF/RTJ BW