

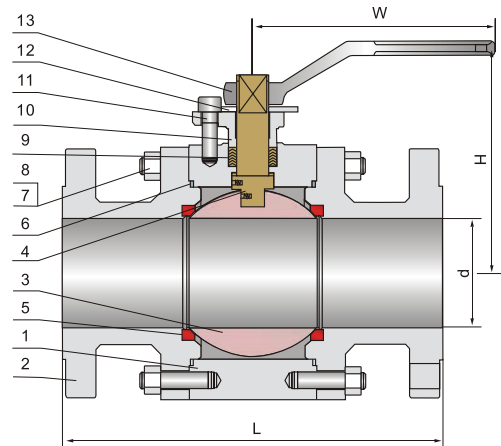
FORGED STEEL FLOATING BALL VALVE 150Lb

Features:

- Floating Ball Type
- Split Body, End Entry
- 2-Piece or 3-piece Body
- Full Port for Pigging Operation
- Gear or Actuator Available

Applicable Standards:

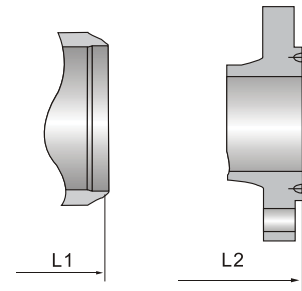
- Design: API 6D / API 608 / BS 5351
- Wall Thickness: API 600 / BS 5351
- Fire Safe: API 607 / API 6FA
- Antistatic: API 608
- Face-to-face: ASME B16.10 / API 6D
- Flange Ends: ASME B16.5 / B16.47
- Butt-welding End: ASME B16.25
- Testing: API 598 / API 6D



Materials of parts

No	Part Name	ASTM Material		
		Carbon Steel	Stainless Steel	Low Temp. Steel
1	Body	A 105	A182-F316	A350-LF2
2	Bonnet	A 105	A182-F316	A350-LF2
3	Ball	A182-F304 ¹⁾	A182-F316	A182-F304 ¹⁾
4	Stem	A276-420	A276-316	A276-420
5	Seat Ring	PTFE, RPTFE, PPL, NYLON, PEEK, etc.		
6	Bonnet Gasket	Graphite+304 ²⁾	PTFE	Graphite+304 ²⁾
7	Bonnet Bolt	A193-B7	A193-B8M	A320-L7
8	Bonnet Bolt Nut	A194-2H	A194-8M	A194-4
9	Packing	PTFE		
10	Gland Flange	A 105	A182-F316	A350-LF2
11	Gland Bolt	A193-B7	A193-B8	A193-B7
12	Stop Plate	Carbon Steel	Carbon Steel+Zn	Carbon Steel
13	Wrench	Carbon Steel		

- Note: 1). A105+ENP optional
2). Spiral wound construction.

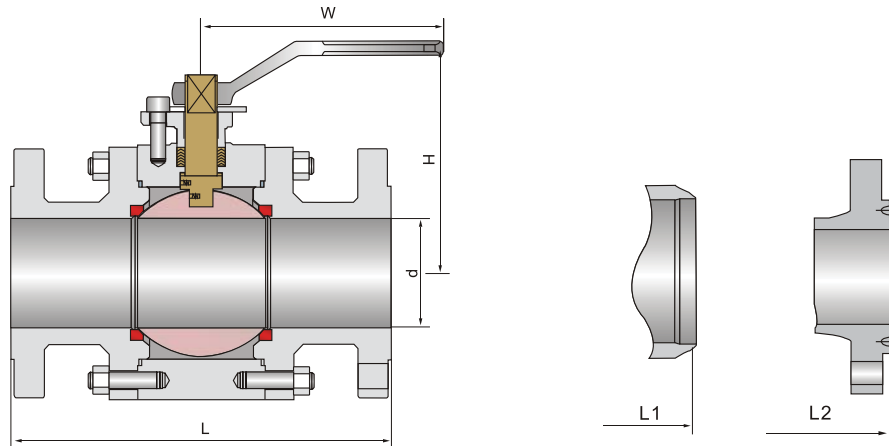


Dimensions data

NPS DN	1/2 15	3/4 20	1 25	1 1/2 40	2 50	2 1/2 40	3 80	4 100	6 150	8 200	10 250	12 300	in mm
ANSI Class150Lb													
L	4.25	4.62	5.00	6.50	7.00	7.50	8.00	9.00	15.50	18.00	21.00	24.00	in
(RF)	108	117	127	165	178	190	203	229	394	457	533	610	mm
L1	5.50	6.00	6.50	7.50	8.50	9.50	11.12	12.00	18.00	20.50	22.00	25.00	in
(BW)	140	152	165	190	216	241	283	305	457	521	559	635	mm
H	2.12	2.12	2.50	3.38	4.00	6.00	7.00	9.25	9.88	11.00	12.62	15.38	in
(d)	55	55	65	85	100	150	180	235	250	280	320	390	mm
(d)	13	19	25	32	49	62	74	100	150	201	252	303	mm
W	8	8	12	12	16	16	24	24	24	24	32	32	in
	200	200	300	300	400	400	600	600	600	600	800	800	mm
WT	3.1	4.1	6	9.5	12.8	20	26	45	126	216	270	378	RF
(kg)	2.6	3.9	5.2	8.7	11.8	19	28	47	131	226	295	393	BW

**FORGED STEEL
FLOATING BALL VALVE
300Lb~600Lb**

KOLINK
VALVE & PIPE FITTING



Dimensions data

NPS DN	1/2 15	3/4 20	1 25	1 1/2 40	2 50	2 1/2 40	3 80	4 100	6 150	8 200	10 250	12 300	in mm
ANSI Class 300Lb													
L (RF)	5.50 140	6.00 152	6.50 165	7.50 190	8.50 216	9.50 241	11.12 283	12.00 305	15.88 403	19.75 502	22.38 568	25.50 648	in mm
L1 (BW)	5.50 140	6.00 152	6.50 165	7.50 190	8.50 216	9.50 241	11.12 283	12.00 305	18.00 457	20.50 521	22.00 559	25.00 635	in mm
H	2.12 55	2.12 55	2.50 65	3.38 85	16.00 400	16.00 400	24.00 600	24.00 600	9.88 250	11.00 280	12.62 320	15.38 390	in mm
(d)	13	19	25	32	49	62	74	100	150	201	252	303	mm
W	8 200	8 200	12 300	12 300	10 250	12 300	14 350	19 480	24 600	24 600	32 800	32 800	in mm
WT (kg)	3.5 2.8	4.6 3.1	6.7 4.4	10.5 5.5	14.5 8.7	22 13.5	29 17	50 31	141 108	242 194	302 234	423 325	RF BW

NPS DN	1/2 15	3/4 20	1 25	1 1/2 40	2 50	2 1/2 40	3 80	4 100	6 150	in mm
ANSI Class 600Lb										
L/L1 (RF/BW)	6.50 165	7.50 190	8.50 216	9.50 241	11.50 292	13.00 330	14.00 356	17.00 432	22.00 559	in mm
L2 (RTJ)	-	-	-	-	11.62 295	13.12 333	14.12 359	17.12 435	22.12 562	in mm
H	2.25 58	2.25 58	2.62 68	3.50 89	4.12 105	6.25 158	7.50 190	9.75 247	10.38 262	in mm
(d)	13	19	25	32	49	62	74	100	150	mm
W	8 200	12 300	12 300	16 400	16 400	24 600	24 600	24 600	32 800	in mm
WT (kg)	4.5 3.8	5.5 4.1	8 5.6	12.5 7	18 12	27 18	35 23	61 43	172 139	RF BW