

PRESSURE SEAL GLOBE VALVE

900Lb

Features:

- Straight Pattern Body Design
- Swivel plug disc Design Standard
- Flat and Regulating Type Disc Available
- Pressure Seal Bonnet
- OS&Y, Rising Stem and Handwheel
- Flanged or Butt-welding Ends
- Bevel Gear or Actuator Available

Applicable Standards:

- Design: BS 1873 / BS EN 13709
- Wall Thickness: BS 1873 / EN 12516
- Face-to-face: ASME B16.10
- Flange Ends: ASME B16.5 / B16.47
- Butt-welding End: ASME B16.25
- Testing: API 598

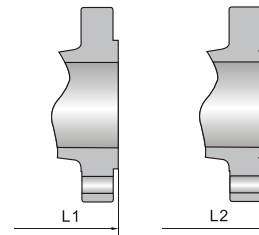
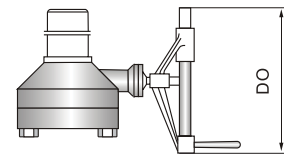
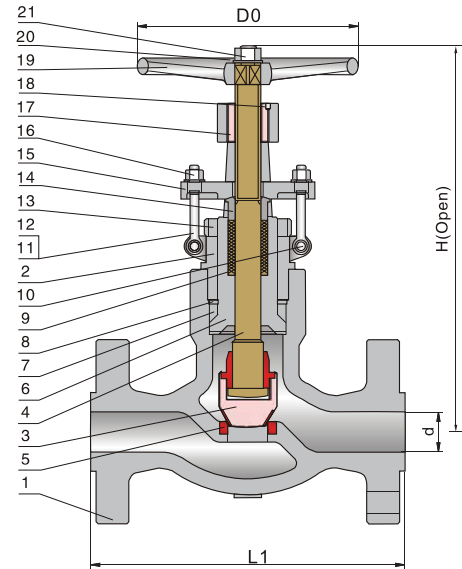
Materials of parts

NO	Part Name	ASTM Material		
		Carbon Steel	Alloy Steel	Stainless Steel
1	Body	A216-WCB	A217-WC6	A351-CF8M
2	Yoke	A216-WCB	A217-WC6	A351-CF8M
3	Disc	A216-WCB+HF	A217-WC6+HF	A351-CF8M+HF
4	Stem	A182-F6a	A182-F6a	A182-F316
5	Seat Ring	A105+HF	A182-F11+HF	A182-F316+HF
6	Stuffing Box	A105	A182-F11	A182-F316
7	Bonnet Gasket ¹⁾	304+Graphite		
8	Washer	Carbon Steel	A276-420	A276-316
9	Packing	Graphite		
10	Eyebolt Pin	Carbon Steel	A276-420	A276-316
11	Eyebolt	Carbon Steel	A193-B7	A193-B8
12	Eyebolt Nut	Carbon Steel	A194-2H	A194-8
13	Locking Nut	Carbon Steel	Alloy Steel	Stainless Steel
14	Gland	A276-420	A276-420	A276-316
15	Gland Flange	A216-WCB	A217-WC6	A351-CF8M
16	Washer	Carbon Steel		
17	Stem Nut	Aluminum-Bronze ²⁾		
18	Bolt	Carbon Steel		
19	Handwheel	Malleable Iron		
20	Handwheel Washer	Carbon Steel		
21	Handwheel Nut	A194-2H		

Note:1) Graphite optional

2) Ductile Ni-Resist optional

3) Wedge and seat ring may either be solid facing material or a base material equal to or better than the body/bonnet material with facing as shown.



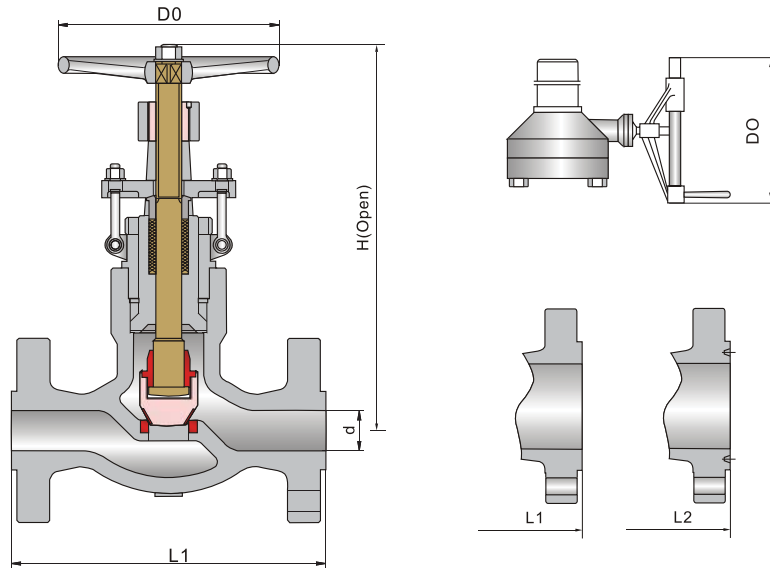
Dimensions data

NPS	2	2½	3	4	6	8	10	12	in
DN	50	65	80	100	150	200	250	300	mm
ANSI Class 900Lb									
L1 (BW)	8.50	10.00	12.00	14.00	20.00	26.00	31.00	36.00	in
	216	254	305	356	508	660	787	914	mm
L (RF)	14.50	16.50	15.00	18.00	24.00	29.00	33.00	38.00	in
	368	419	381	457	610	737	838	965	mm
L2 (RTJ)	14.62	16.62	15.12	18.12	24.12	29.12	33.12	38.12	in
	371	422	384	460	613	740	841	968	mm
H (OPEN)	22	22	22	27	36.38	43.38	50.62	57	in
	557	557	557	685	925	1100	1285	1450	mm
D0	16	16	16	16	28	28	36	36	in
	400	400	400	400	700	700	900	900	mm
WT (kg)	46	53	68	100	270	450	740	1150	BW
	75	82	95	135	355	680	1050	1480	RF/RTJ

PRESSURE SEAL GLOBE VALVE

1500Lb~2500Lb

KOLINK
VALVES & PIPE FITTINGS



Dimensions data

NPS DN	2 50	2½ 65	3 80	4 100	6 150	8 200
ANSI Class 1500Lb						
L1 (BW)	8.50 216	10.00 254	12.00 305	16.00 406	22.00 559	28.00 711
L (RF)	14.50 368	16.50 419	18.50 470	21.50 546	27.75 705	32.75 832
L2 (RTJ)	14.62 371	16.62 422	18.62 473	21.62 549	28.00 711	33.12 842
H (OPEN)	22 557	22 557	24.38 620	30 760	44.62 1135	54.75 1390
D0	16 400	18 450	20 500	24 600	28 700	36 900
WT (kg)	57 86	65 112	90 162	190 240	450 580	730 950

2 50	2½ 65	3 80	4 100	6 150	in mm
ANSI Class 2500Lb					
11.00 279	13.00 330	14.50 368	18.00 457	24.00 610	in mm
17.75 451	20.00 508	22.75 578	26.50 673	36.00 914	in mm
17.88 454	20.50 514	23.00 584	26.88 683	36.50 927	in mm
23.38 595	23.38 595	28 710	32.25 820	49.62 1260	in mm
16 400	20 500	24 600	28 700	36 900	in mm
65 115	78 136	125 205	155 275	480 860	BW RF/RTJ